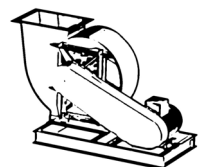
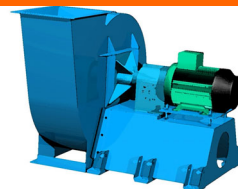
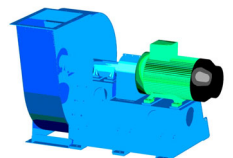
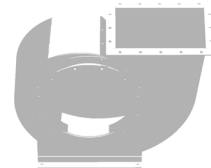
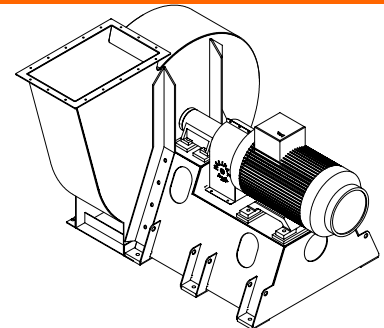
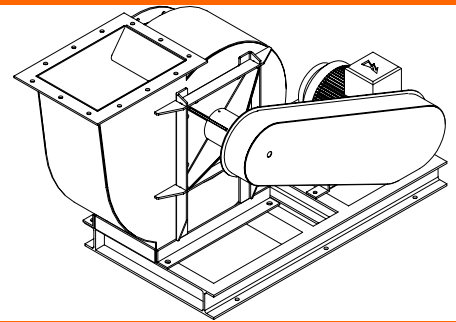
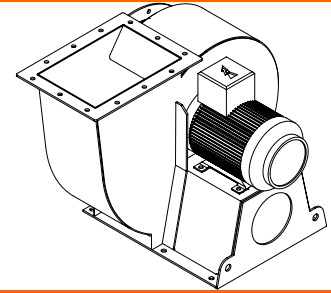
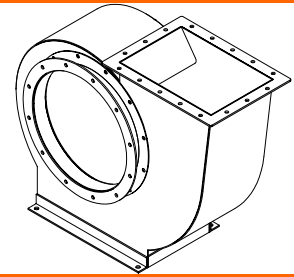


# 'P' Type multivane fan range

Typical driving arrangements  
and dimensions

CATALOGUE REF: - MV002-603



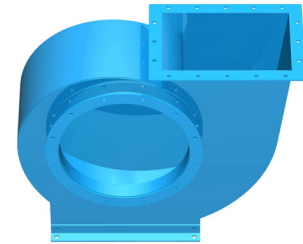
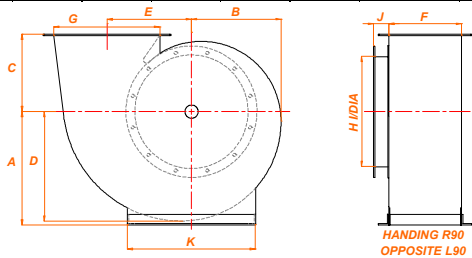
**HALIFAX FAN**  
leaders in fan technology



FM 00701

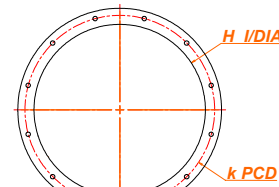


FAN SIZE	A	A	A	A	A	A	B	C	D	E	F	G	H	J	K
	R90	R135	R180	R270	R0	R45									
9	260	241	216	222	356	279	203	184	248	194	165	241	254	38	304
12	343	318	286	229	457	368	267	241	324	254	222	318	330	51	406
15	425	394	356	298	572	451	333	292	406	321	273	400	413	57	482
18	508	470	425	349	673	559	400	349	489	381	324	476	495	64	610
21	597	546	495	406	775	648	464	400	565	445	375	559	584	64	686
24	679	622	559	438	889	724	533	457	654	508	432	635	660	76	800
27	762	699	635	495	991	826	600	514	730	572	483	724	737	90	914
30	851	775	699	559	1105	927	667	565	813	648	533	787	813	100	1016
33	927	851	762	610	1194	1003	730	616	889	699	584	864	902	100	1118
36	1016	940	838	660	1321	1118	800	660	978	762	648	953	991	100	1220
39	1092	1016	914	724	1448	1194	864	724	1054	838	699	1016	1067	100	1346
42	1168	1092	965	749	1549	1295	921	749	1124	889	749	1118	1168	100	1384
45	1270	1168	1041	813	1676	1397	1003	787	1219	953	813	1194	1245	100	1536
48	1359	1245	1092	889	1765	1473	1067	889	1295	1016	864	1270	1321	125	1652
51	1435	1321	1181	940	1880	1575	1143	953	1397	1080	914	1359	1397	125	1714
54	1511	1397	1270	978	1981	1676	1200	1016	1461	1143	978	1448	1486	125	1816
57	1600	1461	1334	1029	2108	1778	1270	1041	1562	1219	1029	1524	1575	125	1918
60	1676	1524	1397	1067	2235	1880	1334	1067	1626	1295	1080	1600	1651	125	2020

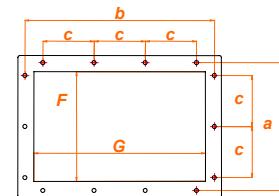


### Flange dimensions

FAN SIZE	a	b	c	d	e	f	g	h	k
9	197	273	76	25	4	2	8	8	286
12	267	362	102	40	3	3	11	12	375
15	318	445	89	40	5	3	11	12	457
18	368	521	114.5	40	5	3	11	16	540
21	419	603	89	40	7	4	11	16	629
24	489	692	152.5	50	5	3	14	16	718
27	540	781	152.5	50	5	4	14	24	794
30	591	845	152.5	50	6	4	14	24	870
33	641	921	152.5	50	6	5	14	24	959
36	705	1010	152.5	50	7	5	14	24	1048
39	756	1073	152.5	50	8	5	14	24	1124
42	806	1175	152.5	50	8	5	14	24	1226
45	870	1251	152.5	50	8	6	14	24	1302
48	933	1340	152.5	70	9	6	17	32	1391
51	984	1429	152.5	70	9	7	17	32	1467
54	1048	1518	152.5	70	10	7	17	32	1556
57	1099	1594	152.5	70	10	7	17	36	1645
60	1149	1670	152.5	70	11	7	17	36	1721

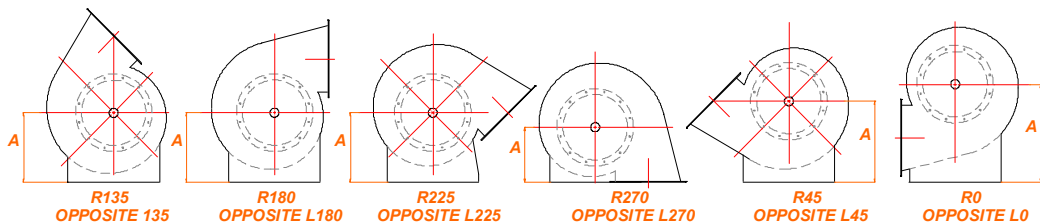


**INLET FLANGE**  
 d - SIZE OF INLET FLANGE  
 h - No. OF HOLES OFF CENTRES  
 g - SIZE OF HOLES  
 k - P.C.D OF HOLES



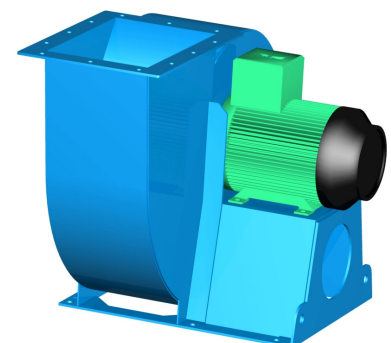
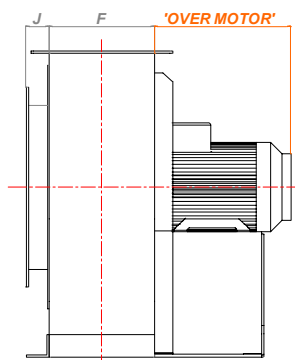
**OUTLET FLANGE**  
 d - SIZE OF OUTLET FLANGE  
 e - No. OF HOLES IN LONG SIDE  
 f - No. OF HOLES IN SHORT SIDE  
 g - SIZE OF HOLES

### Handings shown from drive side



### Arrangement No.3 specific dimensions

FAN SIZE	TYPICAL MOTOR SIZE	SIZE OVER MOTOR	COOLING DISC (ADD TO 'OVER MOTOR' IF REQ'D)
9	D80	255	ADD 50
12	D90	275	ADD 50
15	D100	310	ADD 50
18	D132	375	ADD 50
21	D160	495	ADD 70
24	D180	560	ADD 70
27	D200	700	ADD 70
30	D225S	735	ADD 70
33	D225M	775	ADD 100
36	D250S	845	ADD 100

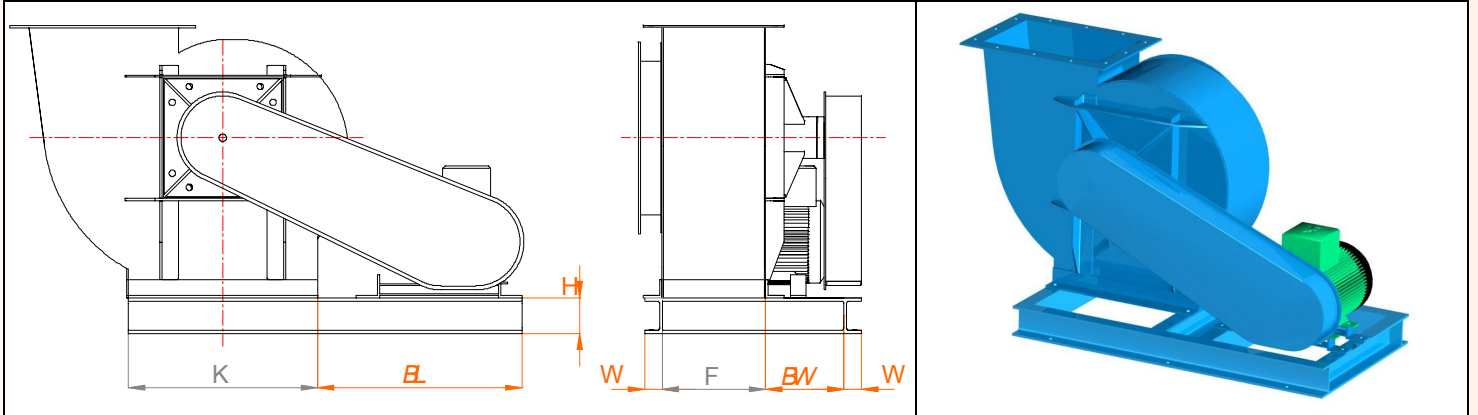


Use these dimensions combined with the Casing dimensions to give overall fan sizes for your chosen driving arrangement

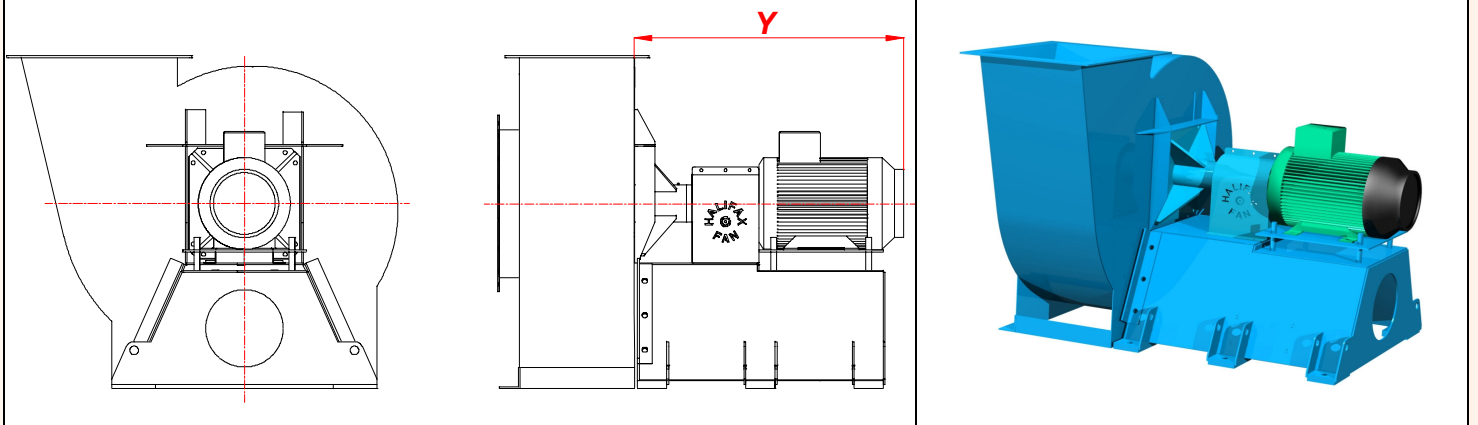
**Typical dimensions for driving arrangements 1,2a,1/3 and 2a/3**

SPECIFICATION			ARRANGEMENT No.1 SPECIFIC DIMENSIONS				ARRANGEMENT 1/3 SPECIFIC	ARRANGEMENT 2A/3 SPECIFIC	HIGH TEMP. EXTRAS			
FAN SIZE	BEARING UNIT		TYPICAL MOTOR SIZE	TYPICAL BASEFRAME SIZES				(Y)	(Z)	FOR EXTRAS ADD TO BW, Y OR Z		
	ARR. No.1	ARR. No.2A		CHANNEL HEIGHT (H)	CHANNEL WIDTH (W)	BL	BW	DIMENSION OVER BEARING UNIT AND MOTOR	DIMENSION OVER BEARING UNIT AND MOTOR	COOLING DISC	COOLING DISC & PLUG UNIT	
9	V1		D80	76	38	440	150	450		ADD 40	ADD 75	
12	V2		D90			440	165	505		ADD 40	ADD 75	
15	V3		D100			610	200	600		ADD 40	ADD 75	
18	V3		D112			725	220	610		ADD 40	ADD 75	
21-24	V4		D132			730	240	720		ADD 50	ADD 75	
27	V5		D160			775	260	905		ADD 50	ADD 75	
30-33	V6		D160			800	290	905		ADD 50	ADD 75	
36	M6	D180	150	75	800	450		1120	ADD 50	ADD 100		
39-45	M7	D200			1050	490		1450	ADD 70	ADD 100		
48-51	M8	D200			200	90		1050	540	1400	ADD 70	ADD 100
54-60	M11	D250						1250	600	1680	ADD 100	ADD 125

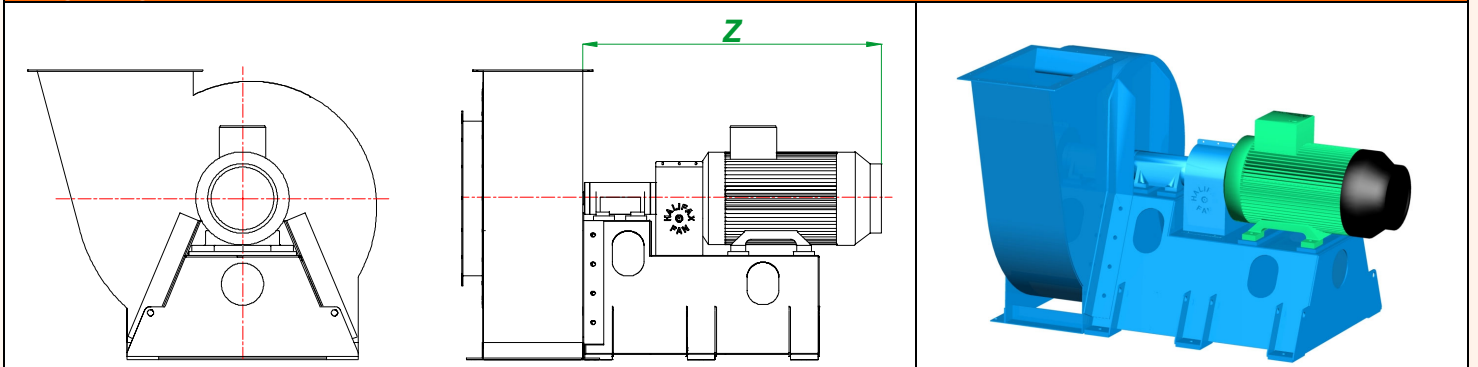
**Driving arrangement No.1 and No.2a**



**Driving arrangement No.1/3**





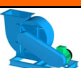













**Driving arrangement No.2a/3**





Typical dimensions only, contact Halifax Fan for full arrangement drawing.

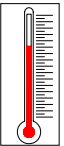
## The Multivane fan range

		<p>The Halifax 'P' Type Multivane forward curved fan is a variant of the well-tried and tested Halifax Multivane fan. The parallel bladed impeller was developed originally for the heating and ventilating industry where air movement requirements are characterised by the need to handle high air flow rates, against relatively low pressure differentials with minimum power consumption and of equal importance, low noise levels.</p>	<ul style="list-style-type: none"> <li>➤ <b>Developed to handle high airflow rates at relatively low pressure, ideal for heating and ventilating applications.</b></li> <li>➤ <b>Good operating efficiency.</b></li> <li>➤ <b>Low noise emissions.</b></li> </ul>
			
			
			
			
			
			
			

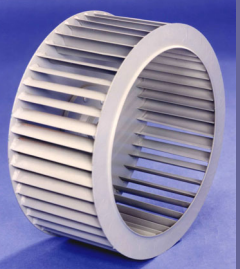
## Performance rating

  <p>FM 00701</p>	<p>All Halifax Fan performance ratings are a result of performance tests to BS848 Part 1: 1980 type D ducted inlet and outlet tests. They are also regularly audit tested in accordance with our quality assurance system, which conforms to ISO 9001.</p>
---	--

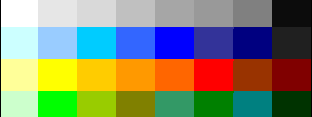
## Temperature range

	<p>Standard Halifax Multivane Fans normally serve applications at temperatures up to 70°C. Higher temperature requirements are effectively catered for by the incorporation of carefully designed modifications to protect the fan bearings. Fans operating between 70°C and 230°C are supplied with a cooling disc fitted to the fan shaft between the fan case and the bearing unit. For operating temperatures between 230°C and 315°C a cooling disc is fitted in addition to fibreglass filled plug unit located between the fan side plate and bearing unit. The fabrication techniques used in the construction of these impellers are modified to ensure operational stability in the high temperature environment.</p>	<ul style="list-style-type: none"> <li>➤ <b>Standard Fan operating temperatures up to 70°C.</b></li> <li>➤ <b>Fans operating between 70°C and 230°C require a cooling disc.</b></li> <li>➤ <b>Fans operating between 230°C and 315°C require a plug unit and cooling disc.</b></li> <li>➤ <b>For fans operating above 315°C contact Halifax Fan Ltd.</b></li> </ul>
---	---	---

## Construction details

	<p><b>Casing</b></p> <p>The fan casings are of an all welded construction and substantially braced for extra rigidity. Casings up to and including size 36 are made in one piece. The impellers can be removed from the inlet side after taking off the front plate. Standard sizes 39 and larger are made in two pieces and these pieces are flanged, drilled and bolted together (known as a split case). Above a size 60, the casings are in three parts with the top section being divided.</p>
	<p><b>Impeller</b></p> <p>The impellers are dynamically and statically balanced in accordance with BS. 6861: Part 1: 1987 and ISO 1940/1:1986. They are precision built components made up of parallel blades welded between a substantial back plate and annular shroud. The precision laser cut back plate with blade slots ensures utmost accuracy in the angle and position of blades. Impellers are fitted with a cast-iron centre boss, precision bored with a British standard keyway to suit.</p>

## Finish

	<p>Great care is taken with the protective finish of Halifax fans and their appearance. Fans selected for normal temperature conditions are powder coated RAL5015 (certain other colours available at no extra cost). Powder coating offers significant advantages over liquid paint finishes, as the process provides a harder, more durable high quality finish, giving added protection. Special finishes are also supplied to suit unusual operating conditions or customer requirements.</p>
--	---

**HALIFAX FAN**  
 Leaders in fan technology

For more information contact Halifax Fan or Visit our Web site:

TEL: +44 (0) 1484 475123

FAX: +44 (0) 1484 475122

E-mail: [sales@halifax-fan.co.uk](mailto:sales@halifax-fan.co.uk)

[www.halifax-fan.co.uk](http://www.halifax-fan.co.uk)

Halifax Fan Ltd, Unit 11, Brookfoot Business Park, Elland Rd, Brighouse, W. Yorks. U.K. HD6 2SD